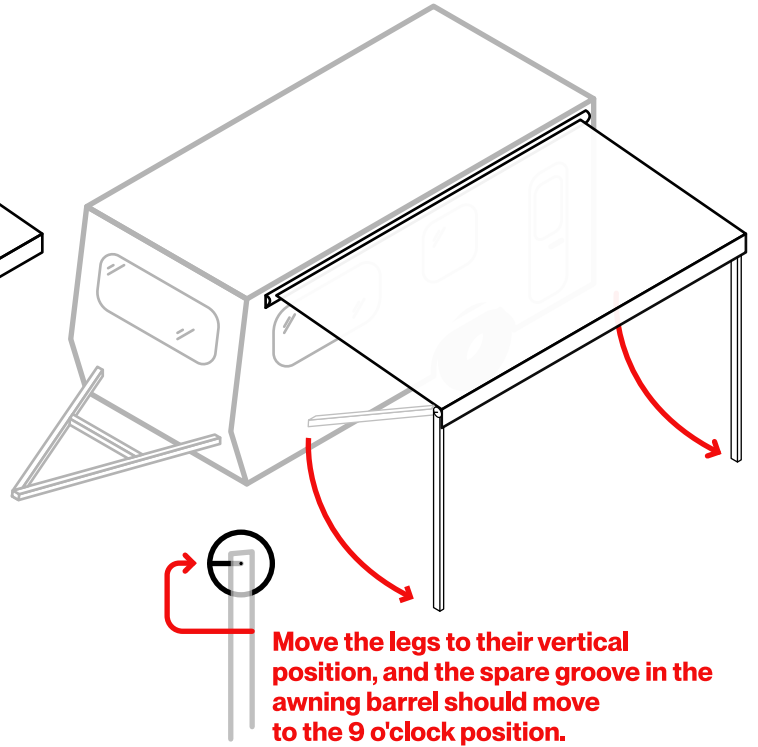
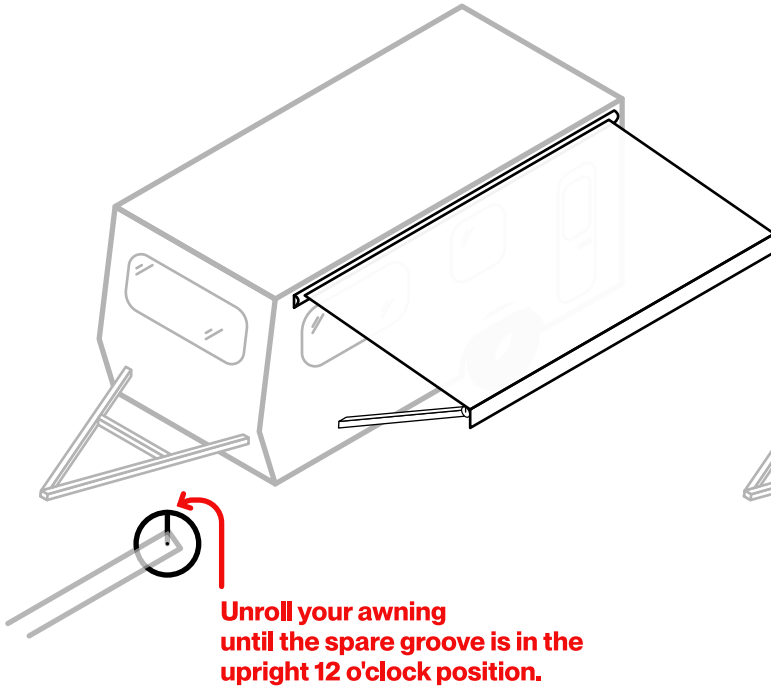


Australia Wide Annexe

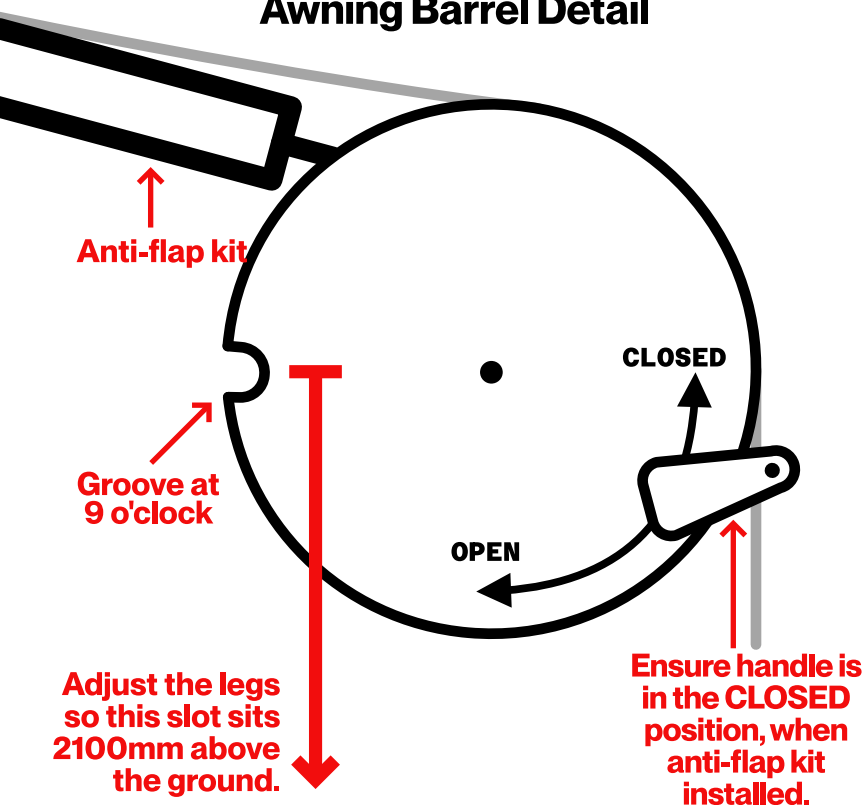
Scan here to see setup video:



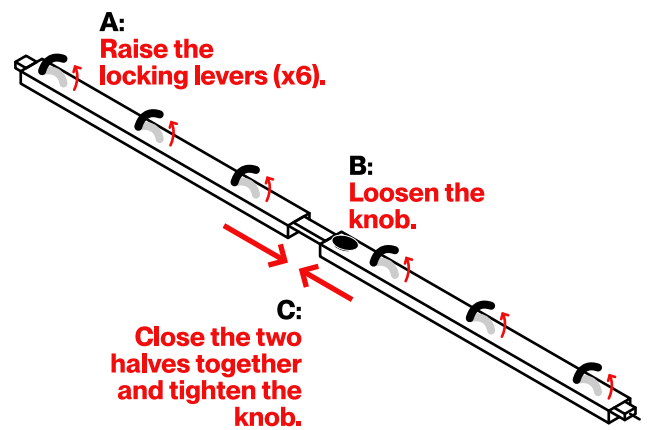
1 Extend your awning.



IMPORTANT Awning Barrel Detail



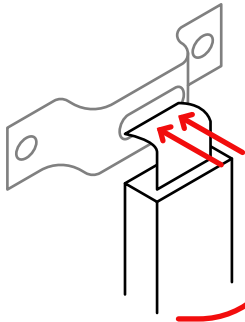
2 Prepare both anti-flap kits



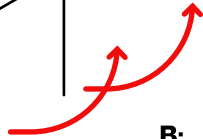
3 Install the anti-flap kit on both sides.



You will need to do this step with the anti-flap kit nearly vertical.

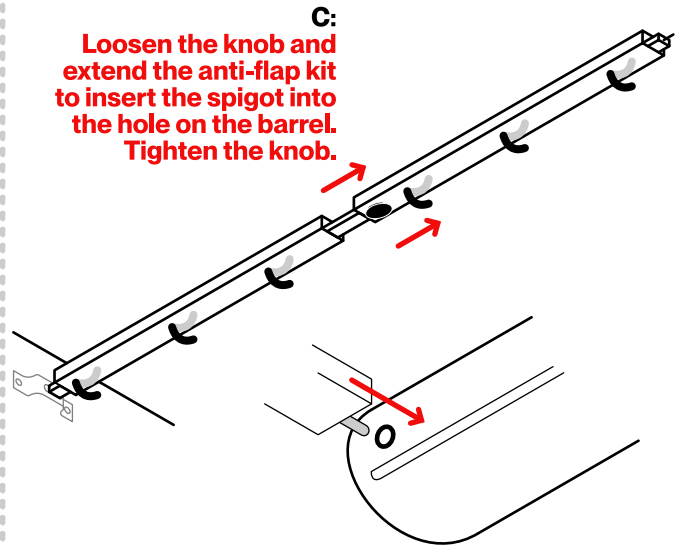


A: Insert the hook from the anti-flap kit into the bracket on the van.

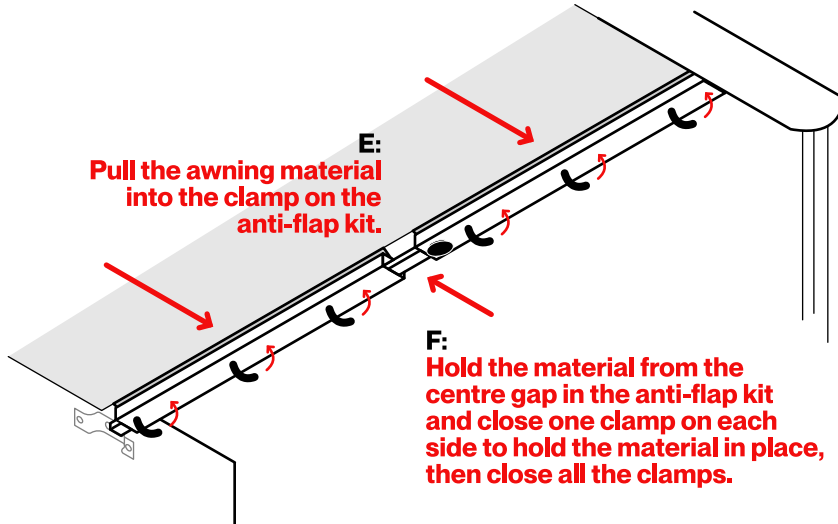


B: Raise the anti-flap kit to horizontal.

C: Loosen the knob and extend the anti-flap kit to insert the spigot into the hole on the barrel. Tighten the knob.



E: Pull the awning material into the clamp on the anti-flap kit.

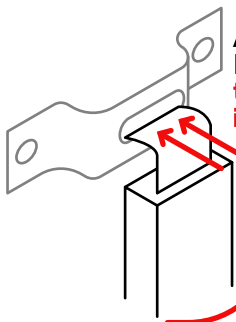


F: Hold the material from the centre gap in the anti-flap kit and close one clamp on each side to hold the material in place, then close all the clamps.

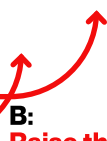
4 Install the curved roof rafters.



You will need to do this step with the curved roof rafter nearly vertical.

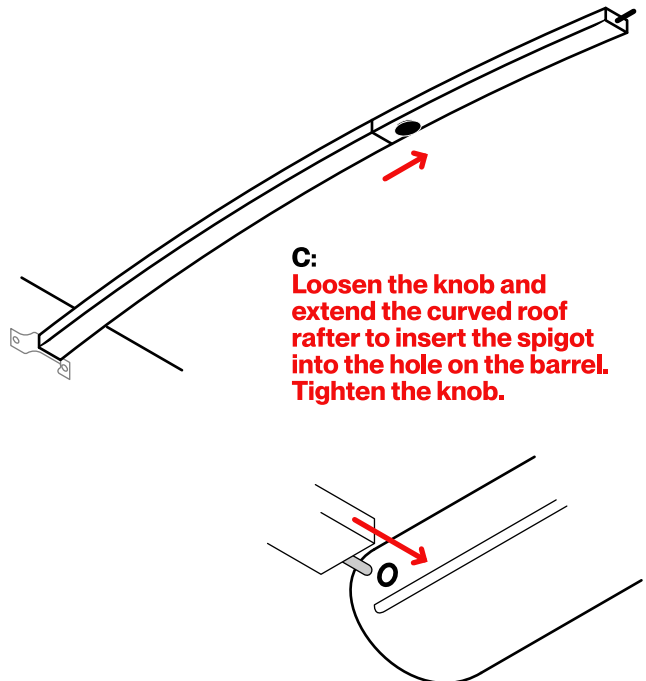


A: Insert the hook from the curved roof rafter into the bracket on the van.



B: Raise the curved roof rafter to horizontal.

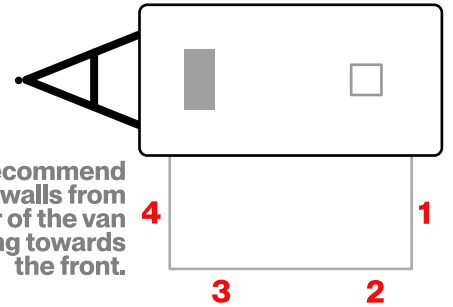
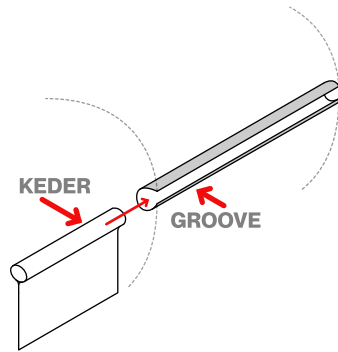
C: Loosen the knob and extend the curved roof rafter to insert the spigot into the hole on the barrel. Tighten the knob.



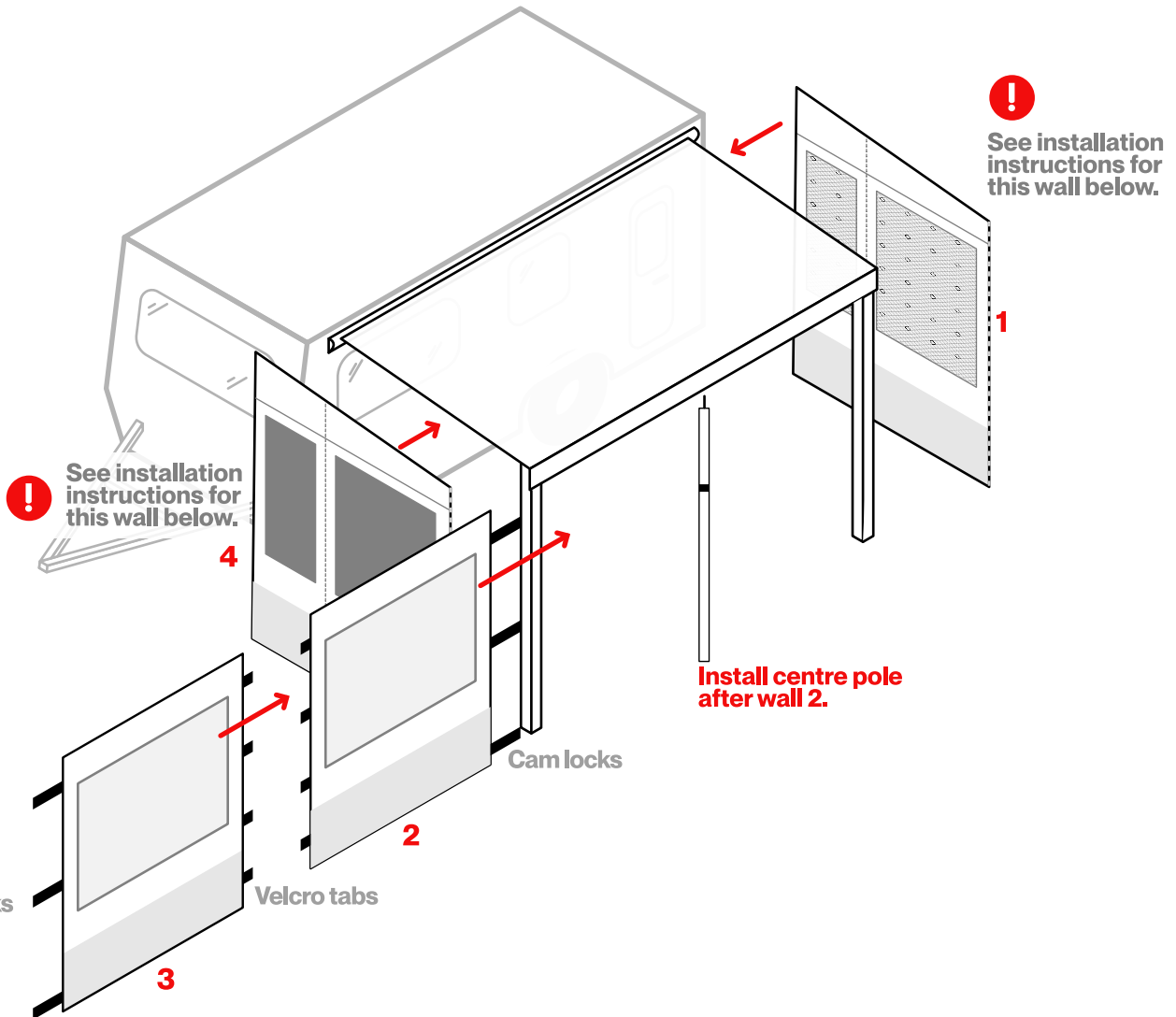
5 Slide the walls into the awning.



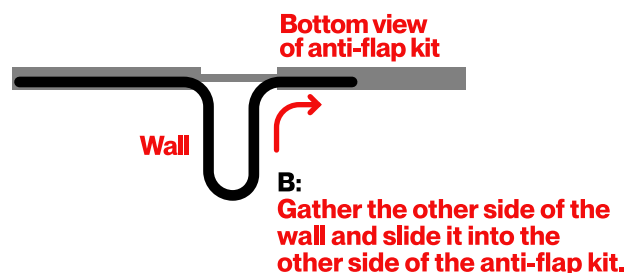
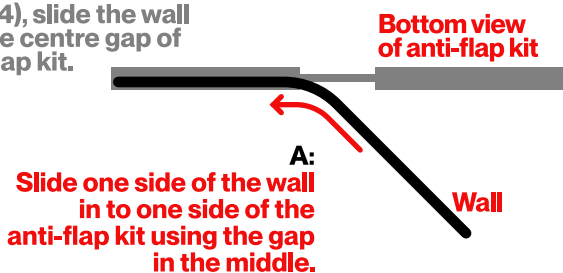
Use the keder on top of the walls to slide into the groove on the anti-flap kit and awning barrel.



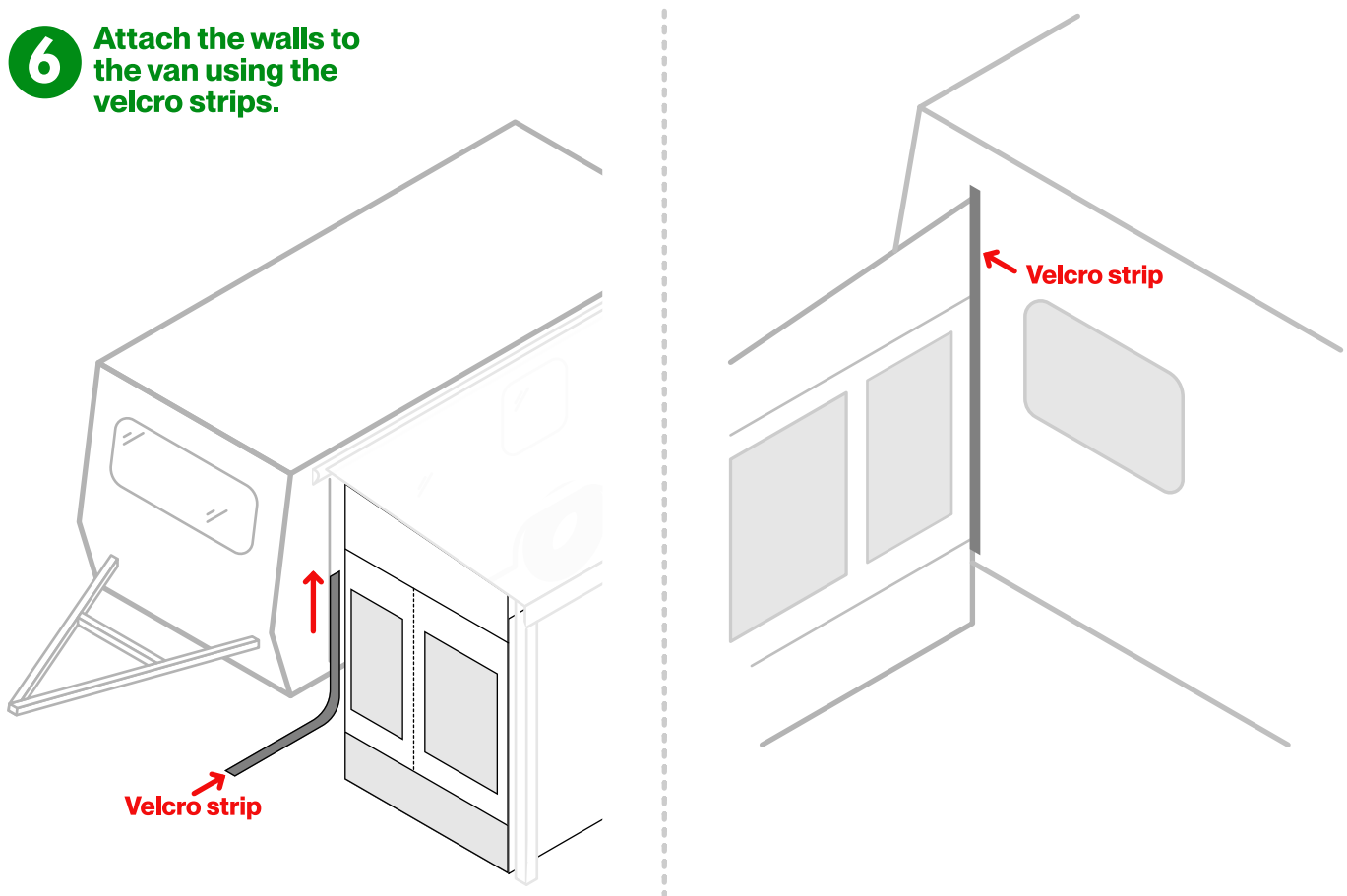
We recommend installing walls from the rear of the van and working towards the front.



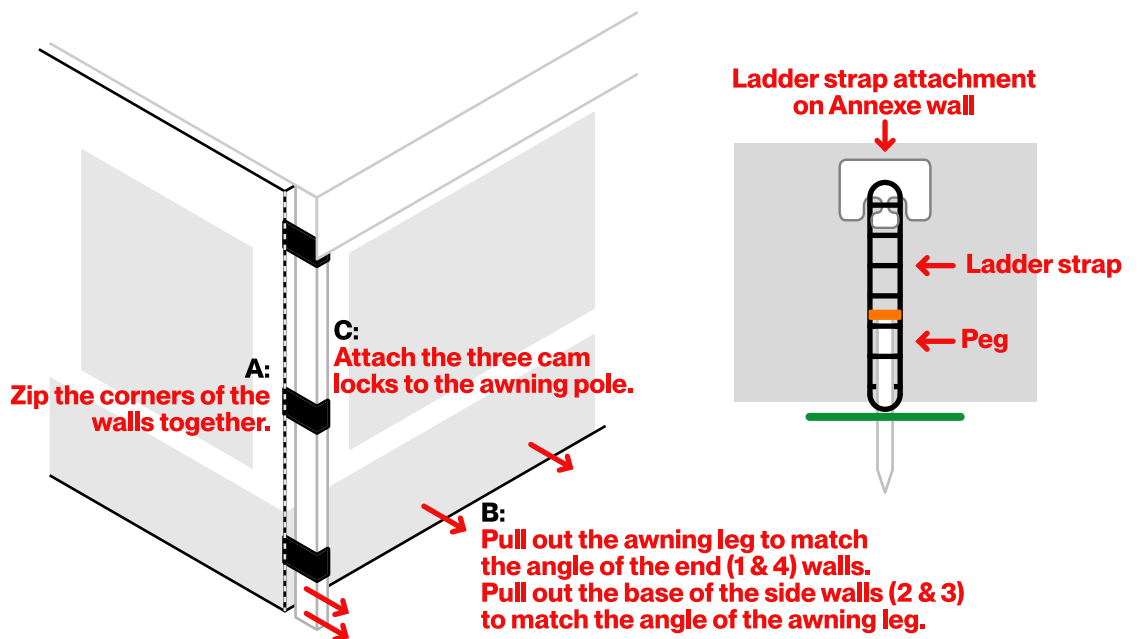
To install the front & rear walls (1 & 4), slide the wall in from the centre gap of the anti-flap kit.



6 Attach the walls to the van using the velcro strips.



7 Attach the walls to the awning and peg to the ground.



8 Attach the draught skirt to the van using press studs. Attach to the Annexe walls with velcro.

